






# GENLISA™ Mouse Anti-SARS-CoV-2 (Covid-19) IgG Antibody to spike RBD protein Quantitative TITRATION ELISA

**REF** : KBVH015-13

Ver 2.2

**RUO**

Enzyme Immunoassay for the Quantitative Estimation of Anti-SARS-CoV-2 IgG antibodies to spike RBD proteins in mouse serum.

<b>RUO</b>	For Research Use Only	<b>REF</b>	Catalog Number
	Store At	<b>LOT</b>	Batch Code
	Manufactured By		Biological Risk
	Expiry Date		Consult Operating Instructions

*For Research Use Only. Purchase does not include or carry the right to resell or transfer this product either as a stand-alone product or as a component of another product. Any use of this product other than the permitted use without the express written authorization of KRISHGEN BioSystems is strictly prohibited.*

**REF** KBVH015-13 96 tests**KRISHGEN BioSystems**

For US/Europe Customers: toll free +1(888)-970-0827 | tel +1(562)-568-5005

For Asia/India Customers: tel +91(22)-49198700

Email: sales@krishgen.com | http://www.krishgen.com

**Introduction:**

The GENLISA™ ELISA kits are used for assessing the specific biomarker in samples analytes which may be serum, plasma and cell culture supernatant as validated with the kit. The kit employs a sandwich ELISA technique which leads to a higher specificity and increased sensitivity compared to conventional competitive ELISA kits which employ only one antibody.

**Intended Use:**

The GENLISA™ Mouse Anti-SARS-CoV-2 IgG Antibody to spike RBD protein Quantitative ELISA kit is used as an analytical tool for quantitative estimation of Anti-SARS-CoV-2 (2019-nCoV) Spike RBD IgG antibodies in mouse serum.

**Principle:**

The method employs indirect sandwich ELISA technique. SARS-CoV-2 Spike RBD-His Recombinant protein is pre-coated onto microwells. Samples and standards are pipetted into microwells and Antibodies to Mouse Anti-SARS-CoV-2 (2019-nCoV) present in the sample are bound by the protein antigen. After incubation the wells are washed and followed by addition of HRP-conjugated Detection IgG Antibody into each well and incubated to form a complex. After washing microwells in order to remove any non-specific binding, the substrate solution (TMB) is added to microwells and color develops proportionally to the amount of Anti-Mouse Anti-SARS-CoV-2 (2019-nCoV) in the sample. Color development is then stopped by addition of stop solution. Absorbance is measured at 450 nm.

**Materials Provided:**

Part	Description	Qty
Recombinant SARS-CoV-2 Spike RBD-His Recombinant protein Coated Microtiter Plate	96 well polystyrene microplate (12 strips of 8 wells) coated with SARS-CoV-2 Spike RBD-His Recombinant protein	1 x 96 wells
Anti-SARS-CoV-2 Spike Antibody Standard	Lyophilized Anti-SARS-CoV-2 Spike Antibody Standard Concentration – 1000 ng/ml	2 vials
Rabbit Anti-Mouse IgG:HRP Conjugate	Rabbit Anti-Mouse IgG: HRP Conjugate prepared in buffer with protein stabilizer and preservatives 0.02% methylisothiazolone and 0.02% bromonitrodioxane.	12 ml
Sample Diluent	Buffered protein base with preservative thiomersol < 0.01%	2 x 50 ml
Standard Diluent	Buffered protein base with preservative thiomersol < 0.01% with 1:1000 dilution mouse serum	10 ml
(20X) Wash Buffer	20-fold concentrated solution of buffered surfactant with preservative thiomersol < 0.01%. May turn yellow over time.	25 ml
TMB Substrate	Stabilized Chromogen	12 ml
Stop Solution	2N Sulfuric Acid	12 ml
Instruction Manual		1 no

**Materials to be provided by the End-User:**

1. Microtiter Plate Reader able to measure absorbance at 450 nm.
2. Adjustable pipettes and multichannel pipettor to measure volumes ranging from 25 ul to 1000 ul
3. Deionized (DI) water
4. Wash bottle or automated microplate washer
5. Graph paper or software for data analysis
6. Timer
7. Absorbent Paper

**Handling/Storage:**

1. Store main kit components at recommended storage temperature indicated on the component label.

2. Before using, bring all components to room temperature (18-25°C). Upon assay completion return all components to appropriate storage conditions.
3. The Substrate is light-sensitive and should be protected from direct sunlight or UV sources.

**Health Hazard Warnings:**

1. Reagents that contain preservatives may be harmful if ingested, inhaled or absorbed through the skin.



**Sample Preparation and Storage:**

Specimens should be clear and non-hemolyzed. Samples should be run at a number of dilutions to ensure accurate quantitation.

Blood is taken by venipuncture. Serum is separated after clotting by centrifugation. Repeated freezing and thawing should be avoided. If samples are to be used for several assays, initially aliquot samples and keep at -20°C.

Samples should be diluted 1:1000 (v/v) for optimal recovery, (for example 1 ul sample + 999 ul sample diluent) prior to assay. In cases where matrix interferences is under or over observed, the samples may be diluted with Sample Diluent accordingly.

The samples may be kept at 2 - 8°C for up to three days. For long-term storage please store at -20°C.

**Note:** *Grossly hemolyzed samples are not suitable for use in this assay*

**Reagent Preparation (all reagents should be diluted immediately prior to use):**

1. Label any aliquots made with the kit Lot No and Expiration date and store it at appropriate conditions mentioned.
2. Bring all reagents to Room temperature before use.
3. To make **Wash Buffer (1X)**; dilute **25 ml of 20X Wash Buffer in 475 ml of DI water**.
4. **Standards Preparation:** Reconstitute the concentrated Standard lyophilized vial with 1 ml of Standard Diluent to obtain a concentration of 1000 ng/ml. Keep the vial for 15 mins with gentle agitation before making further dilutions. Dilute 360 ul of original **Standard (1000 ng/ml)** with 140 ul of Standard Diluent to generate a **720 ng/ml Standard Solution**. Prepare further **Standards** by serially diluting the Standard Solution as per the below table. Use the Standard Diluent as the Zero Standard (Standard No.0).

Standard Concentration	Standard Vial	Dilution Particulars
1000 ng/ml	Original Standard	Original Standard provided in the Kit
720 ng/ml	Standard No.7	360 ul Original Standard (1000 ng/ml) + 140 ul Standard Diluent
360 ng/ml	Standard No.6	250 ul Standard No.7 + 250 ul Standard Diluent
180 ng/ml	Standard No.5	250 ul Standard No.6 + 250 ul Standard Diluent
90 ng/ml	Standard No.4	250 ul Standard No.5 + 250 ul Standard Diluent
60 ng/ml	Standard No.3	333.4 ul Standard No.4 + 166.6 ul Standard Diluent
30 ng/ml	Standard No.2	250 ul Standard No.3 + 250 ul Standard Diluent
15 ng/ml	Standard No.1	250 ul Standard No.2 + 250 ul Standard Diluent
0 ng/ml	Standard No. 0	Only Standard Diluent

Use the Standards as soon as possible upon reconstitution. Discard balance standard after use.

**Procedural Notes:**

1. In order to achieve good assay reproducibility and sensitivity, proper washing of the plates to remove excess un-reacted reagents is essential.
2. Avoid assay of Samples containing sodium azide ( $\text{NaN}_3$ ), as it could destroy the HRP activity resulting in under-estimation of the amount of Anti-SARS-CoV-2 (2019-nCoV).
3. It is recommended that the Standards and Samples be assayed in duplicates.
4. Maintain a repetitive timing sequence from well to well for all the steps to ensure that the incubation timings are same for each well.
5. If the Substrate has a distinct blue color prior to use it may have been contaminated and use of such substrate can lead to compromisation of the sensitivity of the assay.
6. The plates should be read within 30 minutes after adding the Stop Solution.
7. Make a work list in order to identify the location of Standards and Samples.

**Assay Procedure:**

1. Pipette **100 ul** of **Standards** and **Samples** to the respective wells.
2. Seal the plate and incubate for 1 hour at Room Temperature (18-25°C).
3. Wash plate 4 times with **Wash Buffer (1X)** and blot residual buffer by firmly tapping plate upside down on absorbent paper. Wipe of any liquid from the bottom outside of the microtiter wells as any residue can interfere in the reading step. All the washes should be performed similarly.
4. Add **100 ul** of **Rabbit Anti-Mouse IgG: HRP Conjugate** to each well.
5. Seal the plate and incubate for 1 hour at Room Temperature (18-25°C).
6. Wash plate 4 times with **Wash Buffer (1X)** and blot residual buffer by firmly tapping plate upside down on absorbent paper. Wipe of any liquid from the bottom outside of the microtiter wells as any residue can interfere in the reading step. All the washes should be performed similarly.
7. Pipette **100 ul** of **TMB Substrate solution** in all wells.
8. Incubate in the dark for 15 minutes at Room Temperature.
9. Stop reaction by adding **100 ul** of **Stop Solution** to each well.
10. Read absorbance at 450 nm within 30 minutes of stopping reaction.

**Calculation of Results:**

Determine the Mean Absorbance for each set of duplicate Standards and Samples. Using standard graph paper, plot the average value (absorbance 450nm) of each standard on the Y-axis versus the corresponding concentration of the standards on the X-axis. Draw the best fit curve through the standard points.

To determine the unknown Mouse Anti-SARS-CoV-2 Spike RBD IgG concentrations, find the unknown's Mean Absorbance value on the Y-axis and draw a horizontal line to the standard curve. At the point of intersection, draw a vertical line to the X-axis and read the concentration. If samples were diluted, multiply by the appropriate dilution factor.

Software which is able to generate a polynomial regression (2<sup>nd</sup> order) or a cubic spline curve-fit is best recommended for automated results.

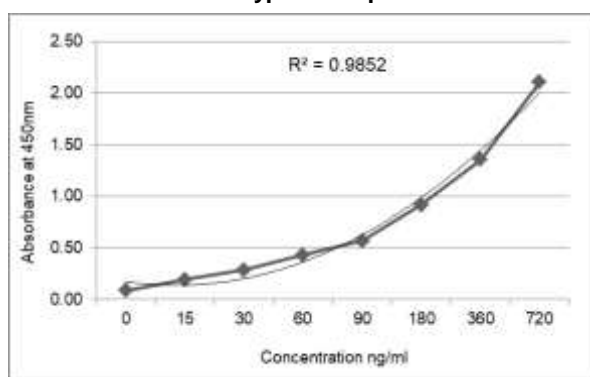
**Note:**

It is recommended to repeat the assay at a different dilution factor in the following cases:  
- If the sample absorbance value is below the first standard.

**Typical Data**

Std ng/ml	Abs 1	Abs 1	Mean Abs
0	0.091	0.074	0.082
15	0.190	0.192	0.191
30	0.304	0.266	0.285
60	0.440	0.419	0.429
90	0.567	0.560	0.564
180	0.854	0.974	0.914
360	1.327	1.384	1.355
720	2.226	1.981	2.103

**Typical Graph**



Abs = absorbance at 450nm

**Quality Control:**

It is recommended that for each laboratory assay appropriate quality control samples in each run to be used to ensure that all reagents and procedures are correct.

**Performance Characteristics of the Kit:**

**Sensitivity:**

**Limit Of Detection:** There is no standard reference mouse SARS-CoV-2 spike RBD material available; accordingly, absolute analytical sensitivity cannot be calculated. Based on the kit working standards the LOD is 12 ng/ml

**Specificity:**

Mutations in the SARS-CoV-2 genome have been identified as the virus has spread, but no serologically unique strains have been described relative to the originally isolated virus (this research is limited at present). The kit antibodies are specific to spike RBD of the SARS-CoV-2 virus.

**Traceability:**

There are no reference standards for SARS-Cov-2 Antibody. The results are reported in ng/ml and the method has been standardized in our laboratory at KRISHGEN BIOSYSTEMS.

**Linearity:**

Standards provided in the kit were used for measuring the linearity range of Mouse IgG Antibodies to SARS-CoV-2 present in serum.

**Precision:**

Precision is defined as the percent coefficient of variation (%CV) i.e. standard deviation divided by the mean and multiplied by 100. Assay precision was determined by both intra (n=5 assays) and inter assay (n=5 assays) reproducibility on two pools. While actual precision may vary from laboratory to laboratory and technician to technician, it is recommended that all operators achieve precision below these design goals before reporting results.

Pool	Intra Assay %CV	Inter Assay %CV
Low	<15%	<15%
Medium	<12%	<12%
High	<12%	<12%

### Recovery:

Mouse sera was measured with two replicates and two runs (n = 5). Samples were measured using one lot of reagent. All data met our acceptance criteria for % CV and 95% (CI) Confidence Intervals for % CV.

Matrix	Recovery Range %
Serum (n=5)	80 - 120

Note: Serum was diluted using Sample Diluent provided with the kit

### Safety Precautions:

- **This kit is For Research Use Only.** Follow the working instructions carefully.
- The expiration dates stated on the kit are to be observed. The same relates to the stability stated for reagents
- Do not use or mix reagents from different lots.
- Do not use reagents from other manufacturers.
- Avoid time shift during pipetting of reagents.
- All reagents should be kept in the original shipping container.
- Some of the reagents contain small amount of sodium azide (< 0.1 % w/w) as preservative. They must not be swallowed or allowed to come into contact with skin or mucosa.
- Source materials maybe derived from Mouse body fluids or organs used in the preparation of this kit were tested and found negative for HBsAg and HIV as well as for HCV antibodies. However, no known test guarantees the absence of such viral agents. Therefore, handle all components and all patient samples as if potentially hazardous.
- Since the kit contains potentially hazardous materials, the following precautions should be observed
  - Do not smoke, eat or drink while handling kit material
  - Always use protective gloves
  - Never pipette material by mouth
  - Wipe up spills promptly, washing the affected surface thoroughly with a decontaminant.
- In any case GLP should be applied with all general and individual regulations to the use of this kit.



### References:

Structure, function, and antigenicity of the SARS-CoV-2 nucleocapsid glycoprotein  
 AC Walls, YJ Park, MA Tortorici, A Wall, AT McGuire...  
 - Cell, 2020 - Elsevier

Preliminary identification of potential vaccine targets for the COVID-19 coronavirus (SARS-CoV-2) based on SARS-CoV immunological studies  
 SF Ahmed, AA Quadeer, MR McKay  
 - Viruses, 2020 - mdpi.com

Interaction between heptad repeat 1 and 2 regions in nucleocapsid protein of SARS-associated coronavirus: implications for virus fusogenic mechanism and identification of ...  
 S Liu, G Xiao, Y Chen, Y He, J Niu, CR Escalante...  
 - The Lancet, 2004 - Elsevier

Temporal profiles of viral load in posterior oropharyngeal saliva samples and serum antibody responses during infection by SARS-CoV-2: an observational cohort ...  
 KKW To, OTY Tsang, WS Leung, AR Tam...  
 - The Lancet Infectious ..., 2020 - Elsevier

Modulation of the unfolded protein response by the severe acute respiratory syndrome coronavirus nucleocapsid protein  
 CP Chan, KL Siu, KT Chin, KY Yuen, B Zheng...  
 - Journal of ..., 2006 - Am Soc Microbiol

**LIMITED WARRANTY**

Krishgen Biosystems does not warrant against damages or defects arising in shipping or handling, or out of accident or improper or abnormal use of the Products; against defects in products or components not manufactured by Krishgen Biosystems, or against damages resulting from such non-Krishgen Biosystems made products or components. Krishgen Biosystems passes on to customer the warranty it received (if any) from the maker thereof of such non Krishgen made products or components.

This warranty also does not apply to Products to which changes or modifications have been made or attempted by persons other than pursuant to written authorization by Krishgen Biosystems.



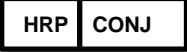




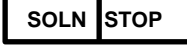




THIS WARRANTY IS EXCLUSIVE. The sole and exclusive obligation of Krishgen Biosystems shall be to repair or replace the defective Products in the manner and for the period provided above. Krishgen Biosystems shall not have any other obligation with respect to the Products or any part thereof, whether based on contract, tort, and strict liability or otherwise. Under no circumstances, whether based on this Limited Warranty or otherwise, shall Krishgen Biosystems be liable for incidental, special, or consequential damages.

This Limited Warranty states the entire obligation of Krishgen Biosystems with respect to the Products. If any part of this Limited Warranty is determined to be void or illegal, the remainder shall remain in full force and effect.

Krishgen Biosystems. 2021

***THANK YOU FOR USING KRISHGEN PRODUCT!***

**SYMBOLS KEY**

	SARS-CoV-2 Spike RBD-His Recombinant protein Coated Microtiter Plate
	Anti-SARS-CoV-2 Spike Antibody Standard
	Rabbit Anti-Mouse IgG:HRP Conjugate
	Standard Diluent
	Sample Diluent
	(20X) Wash Buffer
	TMB Substrate
	Stop Solution
	Consult Instructions for Use
	Catalogue Number
	Expiration Date
	Storage Temperature